



INTELLIGENT ELECTRONIC SAFE

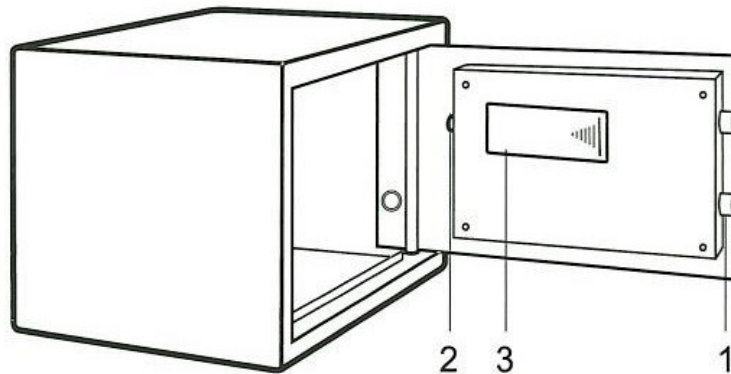
! *Please do not keep emergency keys in your safe!*

Dear valued customer:

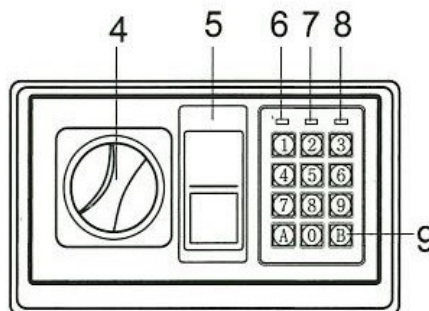
Thank you for choosing our products! You've taken an important step in organizing and protecting your most valued possessions. Every series of our safes is professionally made and designed to provide safety. Please take time to read and familiarize yourself with the proper operating procedures of your new safe presented on the following pages.

Again, thank you for choosing our products!

Schematic drawing of case



Schematic drawing of control panel



- | | | |
|------------------------|-------------------------|------------------------------------|
| 1. Bolts | 5. Emergency Lock Cover | 9. Confirming button |
| 2. Reset Button | 6. Green Light | 10. Power supply: 4 X AA batteries |
| 3. Battery Compartment | 7. Red Light | |
| 4. Knob (Master Key) | 8. Yellow Light | |

! **CAUTION:** All drawings in this manual have been prepared based on the EA. The exterior design or component positions of other models may be different from what is indicated in the drawings, while the operation is the same.

SMS-00-EA01

OPENING YOUR SAFE FOR THE FIRST TIME

Upon first opening, users should open the safe with the emergency key. The operation in details refers to "opening the safe with the emergency key".

- Remove emergency lock cover, then insert the emergency key, and turn it count clockwise.
- Turn the knob (master key) clockwise to open the door.

! CAUTION: Finish operation, pull out the emergency key and keep it in a safe place.

INSERTING THE BATTERIES

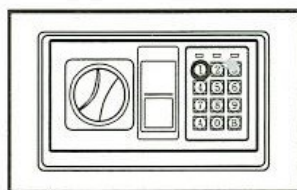
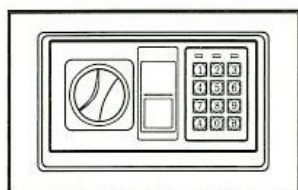
- Open the door.
- Insert 4 X AA batteries into the battery compartment.
- Under normal condition, if both of the red and the green lights are on at the same time, it means the voltage is low and you should insert new batteries.

! CAUTION: Replace 4 fresh batteries by lining them up in a manner as indicated by the "+" and "-" signs. When outage for longer than thirty minutes, you should reset the user's code.

OPENING DOOR

- Input your user's code (3 to 8 digits), each pressing results one buzzer beep and yellow light flashes.
- Press "A" (C / #) or "B" (E / *) button, the green light will be on.
- Rotate the knob (master key) clockwise and pull outwards within 5 seconds, the door is opened.

! CAUTION: The user preset code "159". Please input the user code again if the yellow light flashes with three buzzer beeps.



CLOSING DOOR

- Turn the knob (master key) counter clockwise to close the door.

AUTOMATIC LOCK

- 3 continuously wrong entries will activate the warning beep for 20 seconds.

! CAUTION: The key pad would be disabled during the beeping. You can only stop the beeps by opening the safe with emergency key and power-cut by removing the battery.

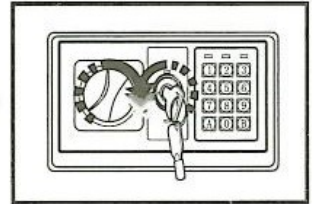
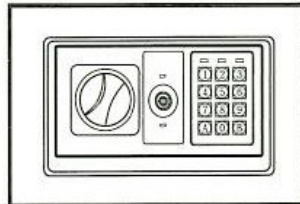
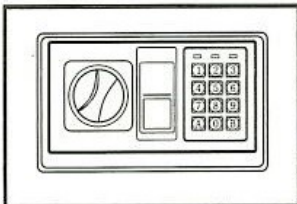
SETTING THE USER CODE

- With the door open, press the reset button one, start setting code when the yellow lights goes on.
- Input new code (3-8 digits), and press the "A" (C / #) or "B" (E / *) button to confirm with 2 buzzer beeps, which indicates the acceptance and storage of the new code.
- If the yellow light flashes with 3 buzzer beeps, which means the code changing is not effective, and you need to try again.

OPENING THE SAFE WITH THE EMERGENCY KEY

Upon first receipt of the safe, or either the electronic circuit malfunction or codes unknown. You could also use the emergency key to open the safe.

- Remove the cover of the emergency lock.
- Insert the emergency key, turn it count clockwise, then turn the knob (master key) clockwise to open the door.

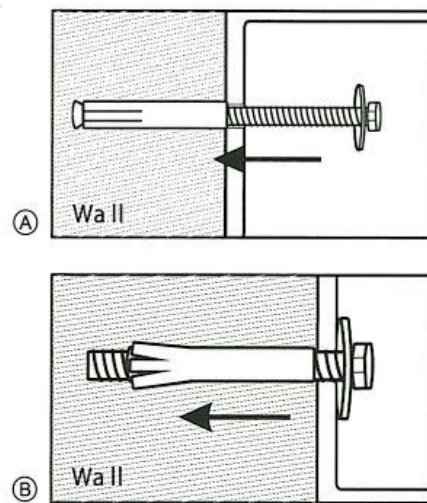
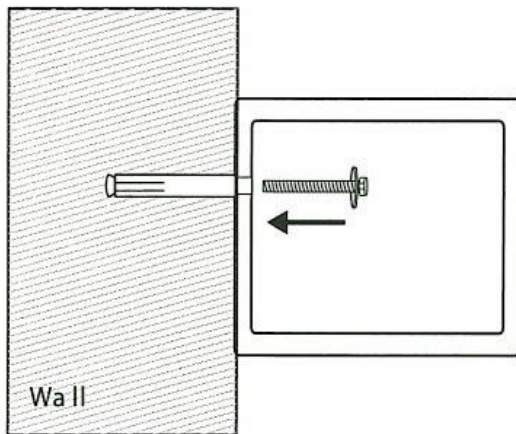


MOUNTING METHOD

Fix the safe in the place which is not easy to move.

- Drill holes for expansion bolts (or clamping screws) in the right place.
- Turn the expansion bolts counter clockwise to separate.
- Use the expansion bolts (or clamping screws) to secure the case to the wall.
- Make sure the case is mounted in place as required and then tighten all screws.

! CAUTION: Use the expansion bolt when there is a concrete wall surface. Use the clamping screw when there is a wooden wall surface.



For any help, kindly consult the local distributor