

ELECTRONIC LOCK OPERATING INSTRUCTION

IMPORTANT

WARNING:

Keep your safe closed and locked at all times when not in use. **DO NOT STORE THIS DOCUMENT, KEYS OR YOUR COMBINATION INSIDE THE SAFE.**

Do not store electronic media, computer disks, audio-visual media or photographic negatives in this safe. This material will not survive the rated internal temperature of the safe. This material may be damaged or destroyed.

If you intend to store jewellery with moving parts, we recommend storage in an air tight container prior to storing them in the safe.

Do not store pearls in this safe. The internal temperature of this safe is rated up to 350° F. Pearls can be damaged at much lower temperatures.

NOTE: Phoenix Safe Co. is not responsible for damage or loss of items placed in this safe due to moisture.

NOTE: This safe must be mounted to a solid brick wall or wall stud, and to a permanent shelf or the floor. Failure to do so will compromise the safety and security of the safe.

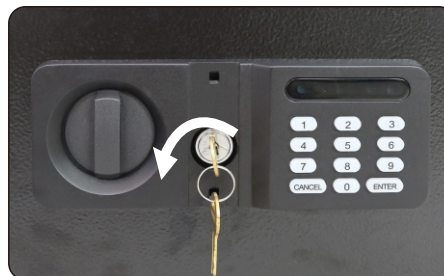
GETTING STARTED

You will need to open the door with the key in order to install the batteries. Batteries are included and located inside the safe.



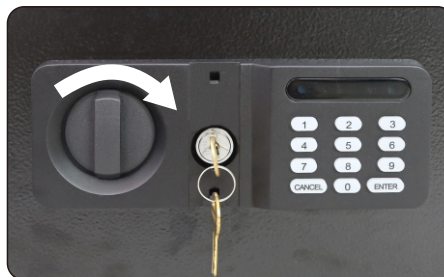
STEP 1

To open the door with the key, first remove the lock cover from the front of the keypad using a thin flathead screwdriver.



STEP 2

Insert the key and turn anticlockwise.



STEP 3

Hold the key in the open position and turn the knob clockwise to open the door.

Locate the batteries inside the safe. Follow steps on next page for battery installation.

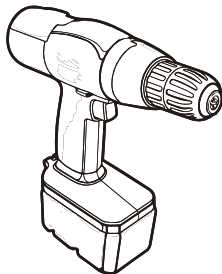
NOTE: The key has been provided in case you lose or forget your security code or the batteries run low. If you lose your key, you may purchase a replacement key by referencing the serial number located under the removable lock cover.

TOOLS NEEDED

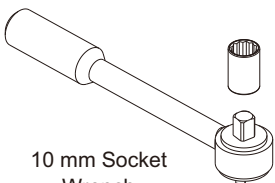
Flat Head Screwdriver



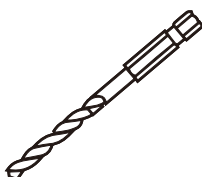
Drill



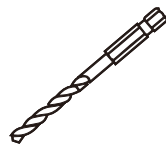
10 mm Socket Wrench



10mm (3/8") Drill Bit

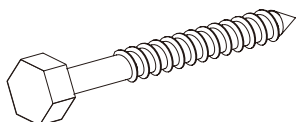


5 mm (3/16") Drill Bit



PARTS INCLUDED

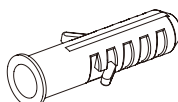
(4) M6 x 50 mm Coach Screws



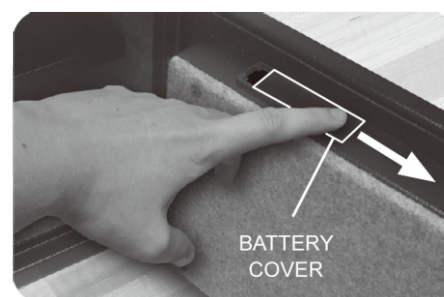
(4) Washers



(4) Plastic Masonry Anchors



BATTERY INSTALLATION AND REPLACEMENT



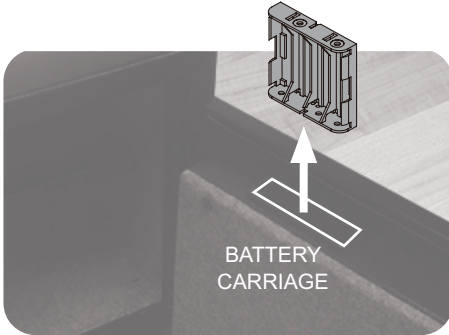
STEP 1

To install or replace the batteries, open the battery compartment on the back of the door by pushing the battery cover plate in the direction of the arrow and install all new batteries as shown.

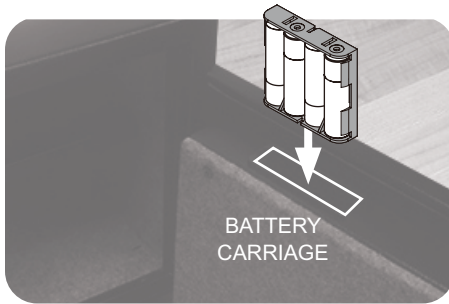
NOTE: Do not mix old and new batteries. Do not mix alkaline, standard or rechargeable batteries.

ELECTRONIC LOCK OPERATING INSTRUCTION

BATTERY INSTALLATION AND REPLACEMENT CONT.



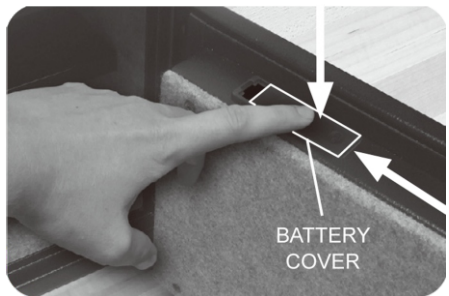
STEP 2
Remove carriage



STEP 3
Make sure battery carriage is in the correct orientation as shown.

This safe uses 4 - AA alkaline batteries. Under normal use, batteries will last about 1 year.

NOTE: If the batteries are low, the yellow light will flash on the keypad when you start to enter your code.



STEP 4
Replace battery cover as shown. Position the battery cover in the middle of battery opening.

Press down and back toward closed position. Make sure the cover is secured before closing the safe.

ENTERING YOUR SECURITY CODE

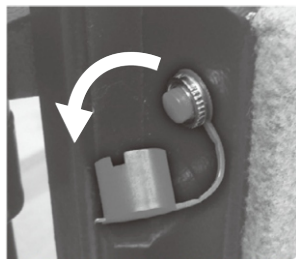
STEP 1

To enter your own personal code, you will need to follow the steps listed below: After installing the batteries, locate the reset button on the edge of the hinged side of the door.

Press the red reset button and then release it, you will hear a beep.

NOTE: The red reset button located on the inside of the door, is covered with a removable red cap. When you use the red reset button while setting your own combination, remove the cap to access the button.

Replace the cap securely over the red reset button after setting your combination. Failure to do so will compromise the safety and security of the safe.



DO NOT SHUT THE DOOR UNTIL YOU HAVE CONFIRMED YOUR NEW SECURITY CODE HAS BEEN ENTERED CORRECTLY.



STEP 2

With the door open, enter your own personal security code, which can be 3-8 digits long, and confirm your new code by pressing the enter key on the keypad.

You will have 3 seconds to press the enter key otherwise you will have to start over from step one. There will be 2 beeps (if the sound is turned on) and the green light will flash twice if your code has been entered successfully.

Before you close the door, enter your new security code and press the enter key to make sure the lock releases the knob so you can turn it and retract the live action locking bolts.

If the code fails, go to Step 1 and start again. If the code works successfully, then you can lock the safe.

When you open the safe in the future, enter the security code you have set followed by the enter key and turn the knob.

If an incorrect security code is entered 3 times the safe will beep 5 times (if the sound is turned on) and the red light will flash 5 times resulting in the safe being automatically locked out for 60 seconds before you can try your code again. The safe will beep one time (if the sound is turned on) and the green light will flash once when the lockout period is over.

If an incorrect security code is entered 1 additional time the safe will beep 5 times (if the sound is turned on) and the red light will flash 5 times resulting in the safe being automatically locked out for 5 minutes before the code can be tried again. The safe will beep one time (if the sound is turned on) and the green light will flash once when the lockout period is over.

LOCKING THE SAFE



To lock the safe, close the door and turn the knob anticlockwise to the 12:00 position.

NOTE ON LOCKING THE SAFE:

Because the locking mechanism is deactivated for approximately 3 to 6 seconds after the combination is entered, wait a minimum of 6 seconds from the time the combination is entered to lock the safe. Also, when locking the safe, always make sure the knob is turned completely to the left (anticlockwise) to the 12:00 position.

ELECTRONIC LOCK OPERATING INSTRUCTION

SELECTING A LOCATION AND SECURING THE SAFE

The safe must be mounted to a solid brick wall or wall stud, and a permanent shelf or the floor. For optimal safety and security, the safe should be installed in an isolated, dry and secure area.

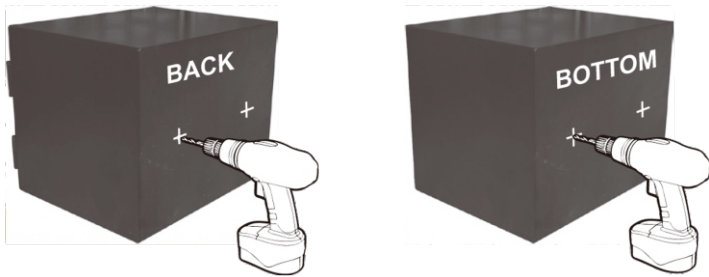
NOTE ON LOCKING THE SAFE: The safe must be in an upright position for the locking mechanism to function properly. Failure to mount the safe in the correct upright position will compromise the safety and security of the safe.

NOTE: If securing to a wall stud, one of the holes in the back of the safe must be used to anchor it to the wall stud. A wall anchor should be used on the other side. The safe should also be mounted to a permanent shelf or to the floor. Use the bolts provided or consult your hardware retailer for fastenings for your particular mounting surfaces.

STEP 1

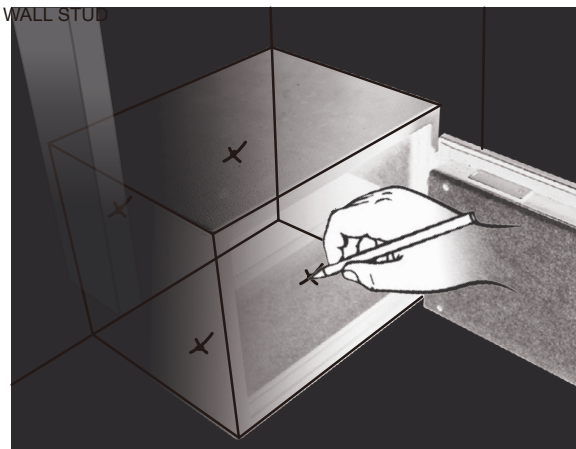
Slowly drill out all mounting holes located on the back and bottom of safe.

DO NOT DRILL FROM A RANDOM LOCATION FROM INSIDE THE SAFE.



STEP 2

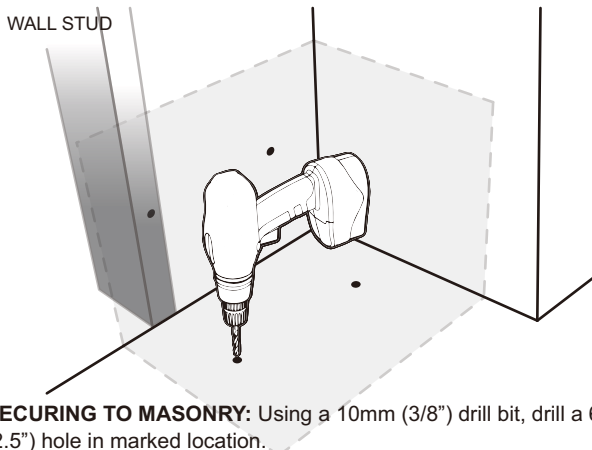
Position the safe in desired location. Use a screw or pencil to mark the 4 mounting locations on the floor and wall.



NOTE: Make sure to mark and secure to one wall stud as shown. Remove safe from marked location.

STEP 3

SECURING TO WOOD: Using a 5mm (3/16") drill bit, drill a 64mm (2.5") hole in marked location.



SECURING TO MASONRY: Using a 10mm (3/8") drill bit, drill a 64mm (2.5") hole in marked location.

STEP 4

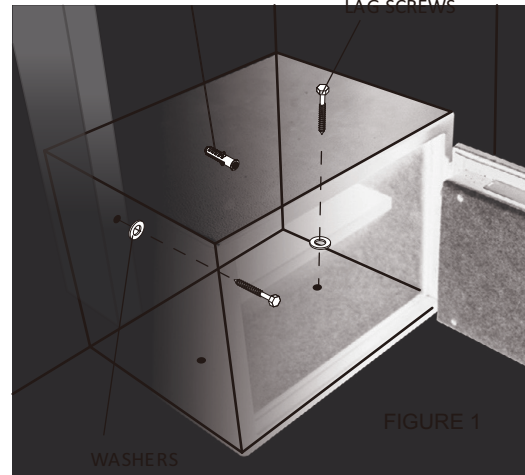
SECURING TO WOOD FLOOR OR SECURE SHELF:

- **NOTE:** Position plastic wall anchor in wall before placing safe in mounting location.
- Use plastic wall anchor to secure the other back hole that is not centered on a wall stud.
- Position safe in mounting location.
- Position coach screws through washers
- Tighten screws using a socket wrench.

WALL STUD

WALL ANCHOR

LAG SCREWS

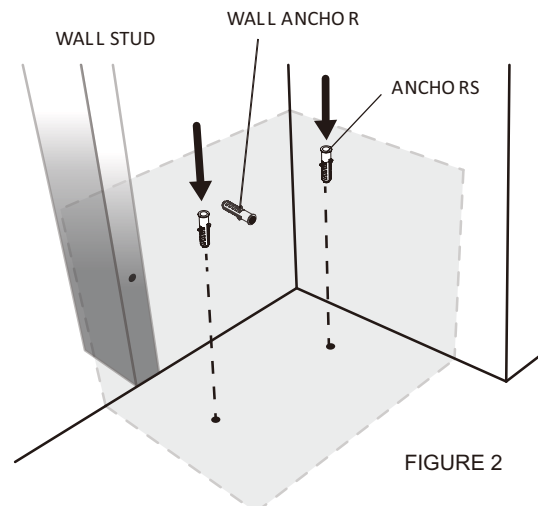


WASHERS

FIGURE 1

SECURING TO MASONRY FLOOR:

- Insert plastic wall anchors into predrilled holes in masonry as shown in FIGURE 2.
- Use a plastic wall anchor to secure the other back hole that is not centered on a wall stud.
- Position safe in mounting location.
- Position coach screws through washers and safe as shown in FIGURE 1.
- Tighten coach screws into masonry anchors using a socket wrench.



WALL STUD


WALL ANCHOR

ANCHORS

FIGURE 2

ELECTRONIC LOCK OPERATING INSTRUCTION

TURNING THE KEYPAD SOUND OFF/ON

You can turn off the "Beep" sound of the keypad by pressing the CANCEL  button.

To turn the "Beep" sound on, press the CANCEL  button again.

